

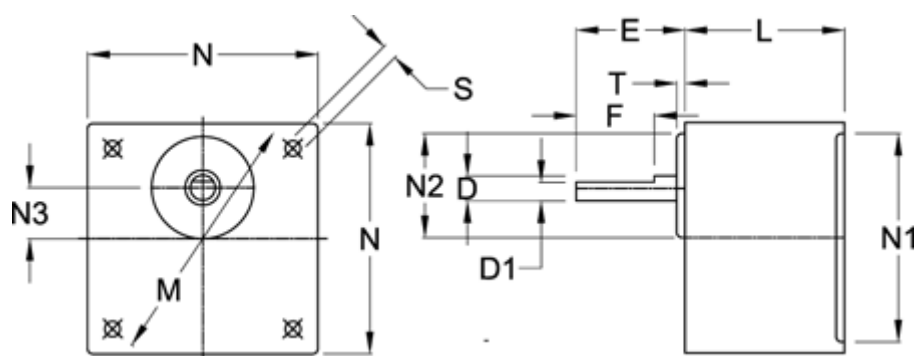
# Data Sheet



Article number: 72006007522

Description: Gear Head SG7,5B I=7,5  
Pinion input

## Measures



D = 8	N2 = 24
D1 = 7	N3 = 10
E = 32	S = 4x $\varnothing$ 4,5
F = 12	T = 3
L = 30	
M = 70	
N = 60	
N1 = -	